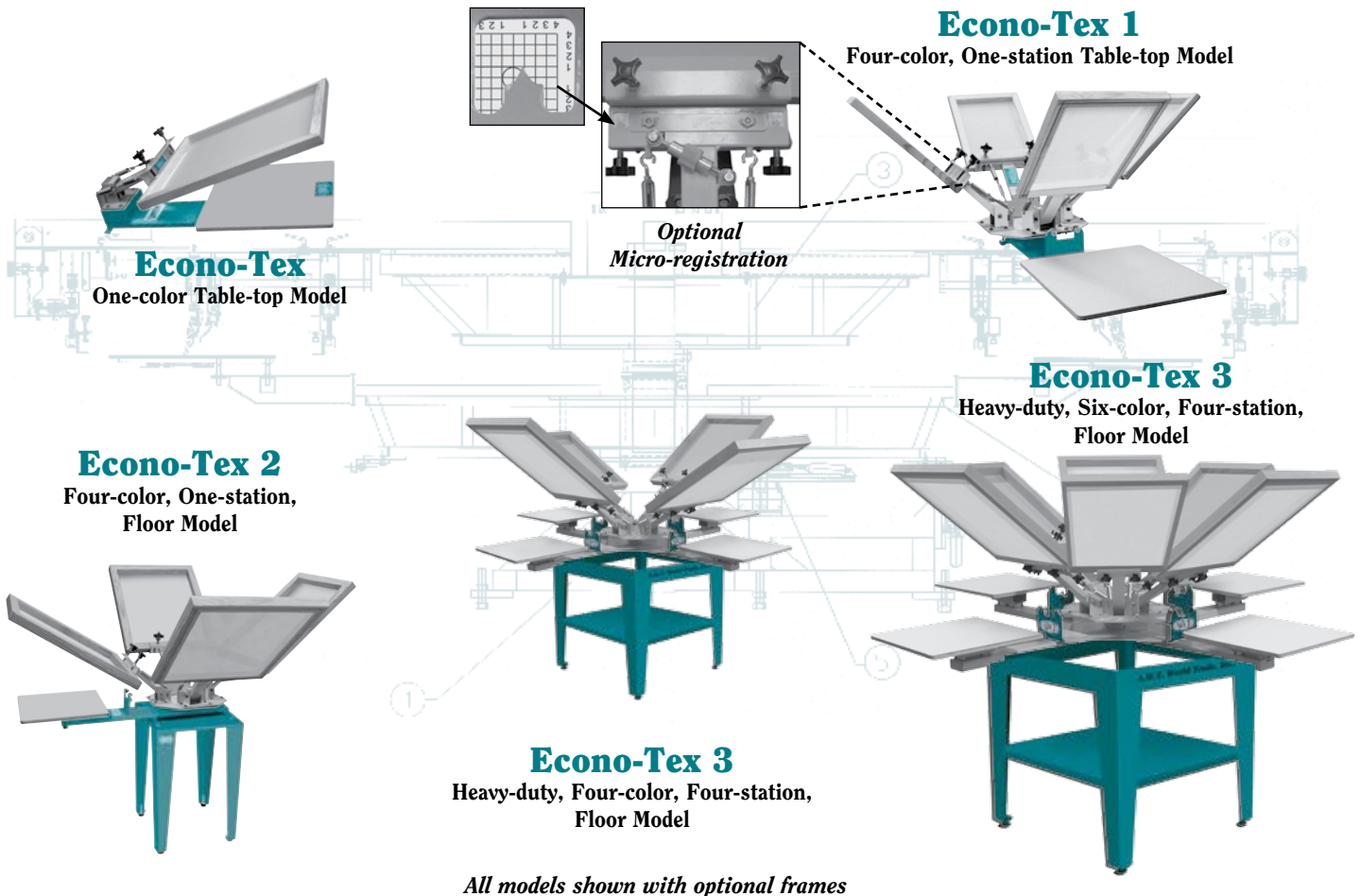


ECONO-TEX™

*Moving Ahead
With Technology*

Textile Printers with Rugged, All-Metal Design



ADVANTAGES

- All metal design with solid wood pallets
- Levelers provide additional stability
- Excellent, consistent print quality
- Maximum print size: 15" x 16"
- Lock-in hardened bearing registration system on one-color expandable and multicolor models—excellent registration
- Adjustable spring tension screen frame lift
- Sturdy frame clamping system
- Off-contact feature

The Econo-Tex™ series are high quality, one-, four- or six-color, rugged textile printers especially suited for start-up print shops or any application where short runs are needed.

These versatile units are excellent for screen printing all types of textile products, such as t-shirts, sweatshirts, jackets, towels, banners, bumper stickers, book covers and more.

Use these reliable printers as teaching aids in classrooms, for fund raising projects, or in commercial sales.

See a sales representative about our complete Econo-Tex series of printers.



Manufactured by
A.W.T. World Trade Inc.
Division of The A.W.T. World Trade Group

4321 N. Knox Avenue • Chicago, IL 60641 USA

773.777.7100 • Fax: 773.777.0909
sales@awt-gpi.com • www.awt-gpi.com

THE ECONO-TEX™ SERIES OF TEXTILE PRINTERS

Perfect From Short Runs Through Full Production. Built to Last!

Standard Features

Econo-Tex Series without Micro-Registration

CAT. NO.	DESCRIPTION
ET-1516	One-color, table model
ET-1516EXP	One-color, expandable table model
ET-HD	Each additional print head for one-color expandable table model
ET-1516MC	Four-color, one-station, table model
ET-1516MC2	Four-color, two-station, table model (rotary heads, fixed pallets)

Econo-Tex Series with Micro-Registration

CAT. NO.	DESCRIPTION
ETM-1516EXP	One-color, expandable table model
ETM-HD	Each additional print head for one-color expandable table model
ETM-1516MC	Four-color, one-station, table model

Econo-Tex 2 Series without Micro-Registration

CAT. NO.	DESCRIPTION
ETF-1516	One-color, one-station, floor model
ETF-1516MC	Four-color, one-station, floor model
ETF-1516MC2	Four-color, two-station, floor model (rotary heads, fixed pallets)
ETF-1516MC4	Four-color, four-station, floor model (rotary heads, rotary pallets)

Econo-Tex 2 Series with Micro-Registration

CAT. NO.	DESCRIPTION
ETMF-1516EXP	One-color, one-station, expandable floor model
ETMF-HD	Each additional print head for one-color expandable floor model
ETMF-1516MC	Four-color, one-station, floor model
ETMF-1516MC2	Four-color, two-station, floor model (rotary heads, fixed pallets)
ETMF-1516MC4	Four-color, four-station, floor model (rotary heads, rotary pallets)

Econo-Tex 3 Series with Micro-Registration

CAT. NO.	DESCRIPTION
ETMF-1516HD4	Four-color, four-station, floor model with heavy-duty base and pallet support
ETMF-HD6	Each additional print head to expand ETMF-1516HD4 to six print heads
ETMF-1516HD6	Six-color, four-station, floor model with heavy-duty base and pallet support

Optional Features

CAT. NO.	DESCRIPTION
*-STAND	Stand for Econo-Tex table model unit Note: Shipped disassembled
*-SHELF	Shelf for Econo-Tex table model unit Note: Stand required
*-EFH	Expandable frame holder Note: Specified length required. Only two can be used on the four-color printer; one on every other print head
ETMF-HDSPP	Spare parts package

*Denotes prefix of model number. Examples: ETM-Stand; ETF-Shelf

Accessories—Wood Pallets

CAT. NO.	DESCRIPTION*
RPW-1016E-GAO	10 x 16" small
RPW-1216E-GAO	12 x 16" medium
RPW-1516E-GAO	15 x 16" large
RPW-1822E-GAO	18 x 22" extra large
RPW-419SE-GAO	4 x 19" single sleeve
RPW-419DE-GAO	4 x 19" double sleeve
RPW-719SE-GAO	7 x 19" single leg

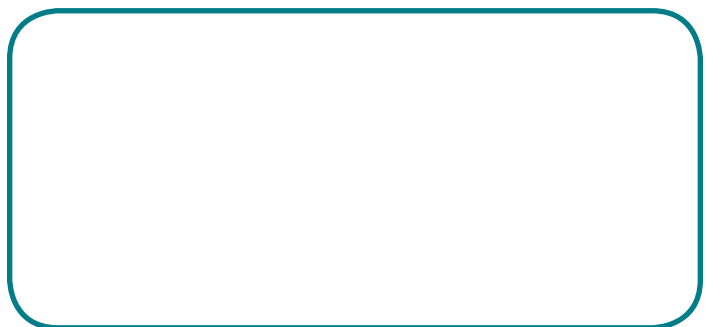
*Other sizes available

Accessories—Aluminum Pallets*

CAT. NO.	DESCRIPTION
RPA-1016E-GAO	10 x 16" small
RPA-1216E-GAO	12 x 16" medium
RPA-1516E-GAO	15 x 16" large
RPA-1822E-GAO	18 x 22" extra large
RPA-419SE-GAO	4 x 19" single sleeve
RPA-419DE-GAO	4 x 19" double sleeve
RPA-719SE-GAO	7 x 19" single leg
PA-1	Universal pocket attachment

*Pallets are Stay-Flat™ aluminum pallets with heat-resistant white rubber cover.

For an A.W.T. dealer near you, contact:



Manufactured by
A.W.T. World Trade Inc.
Division of The A.W.T. World Trade Group

4321 N. Knox Avenue • Chicago, IL 60641 USA

773.777.7100 • Fax: 773.777.0909

sales@awt-gpi.com • www.awt-gpi.com